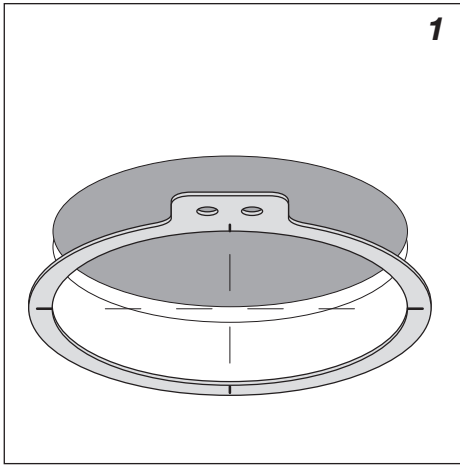


DOT Downlights INSTALLATION INSTRUCTIONS

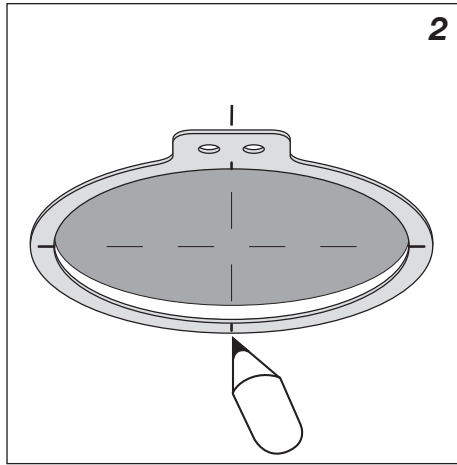


LED Series Downlights Emergency Switch Accessory

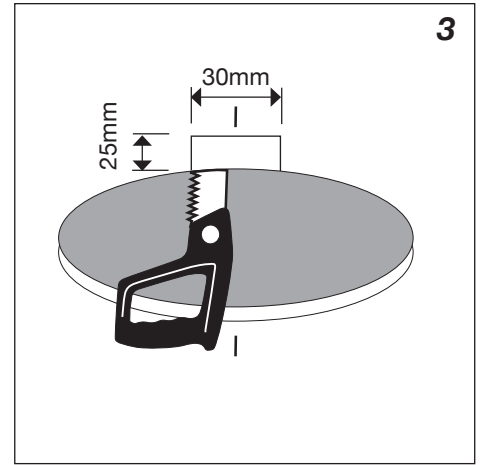
IP 20



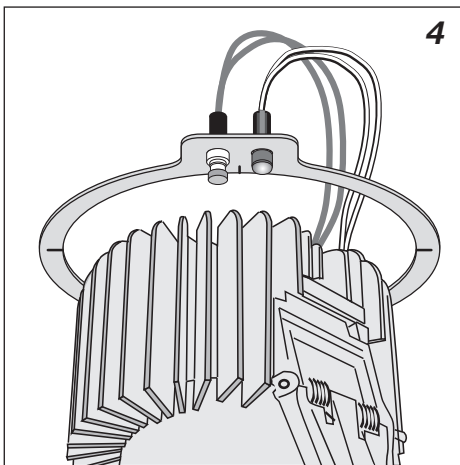
1 Locate Emergency Switch Ring over downlight installation hole.



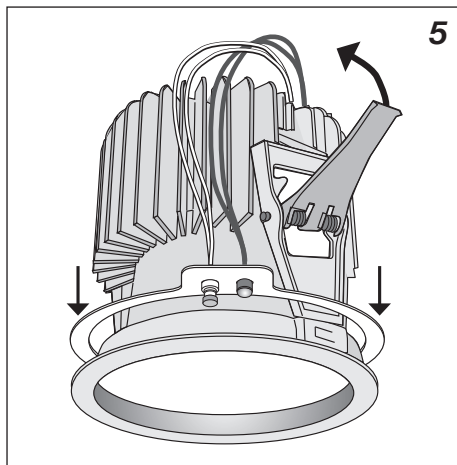
2 Align ring to ceiling grid and determine switch location - mark right angles.



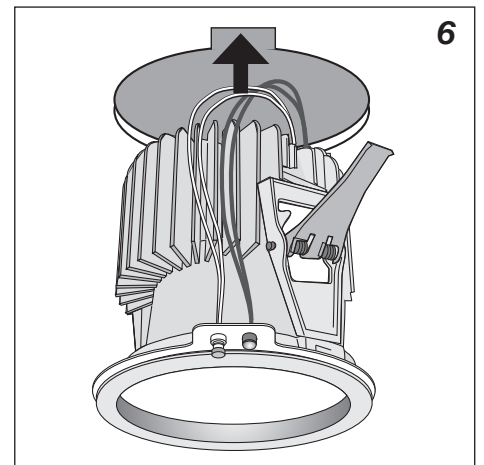
3 At switch location - mark out and cut 30mm x 25mm notch.



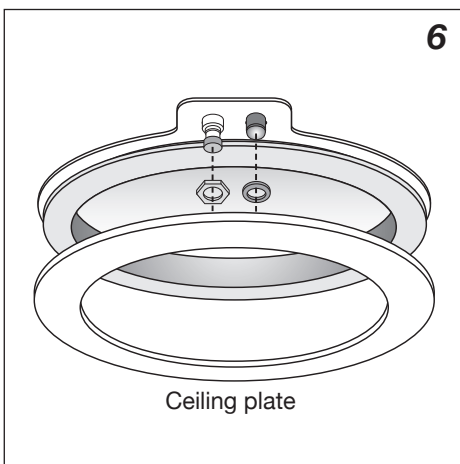
4 Pull switch wires through ring centre and locate into mounting holes.



5 Disengage and raise mounting legs. Lower Switch Ring over legs and drop down to top of ceiling flange.



6 - Insert downlight into ceiling.
- Insert reflector.



6 Fix securing nuts and attach ceiling plate.

